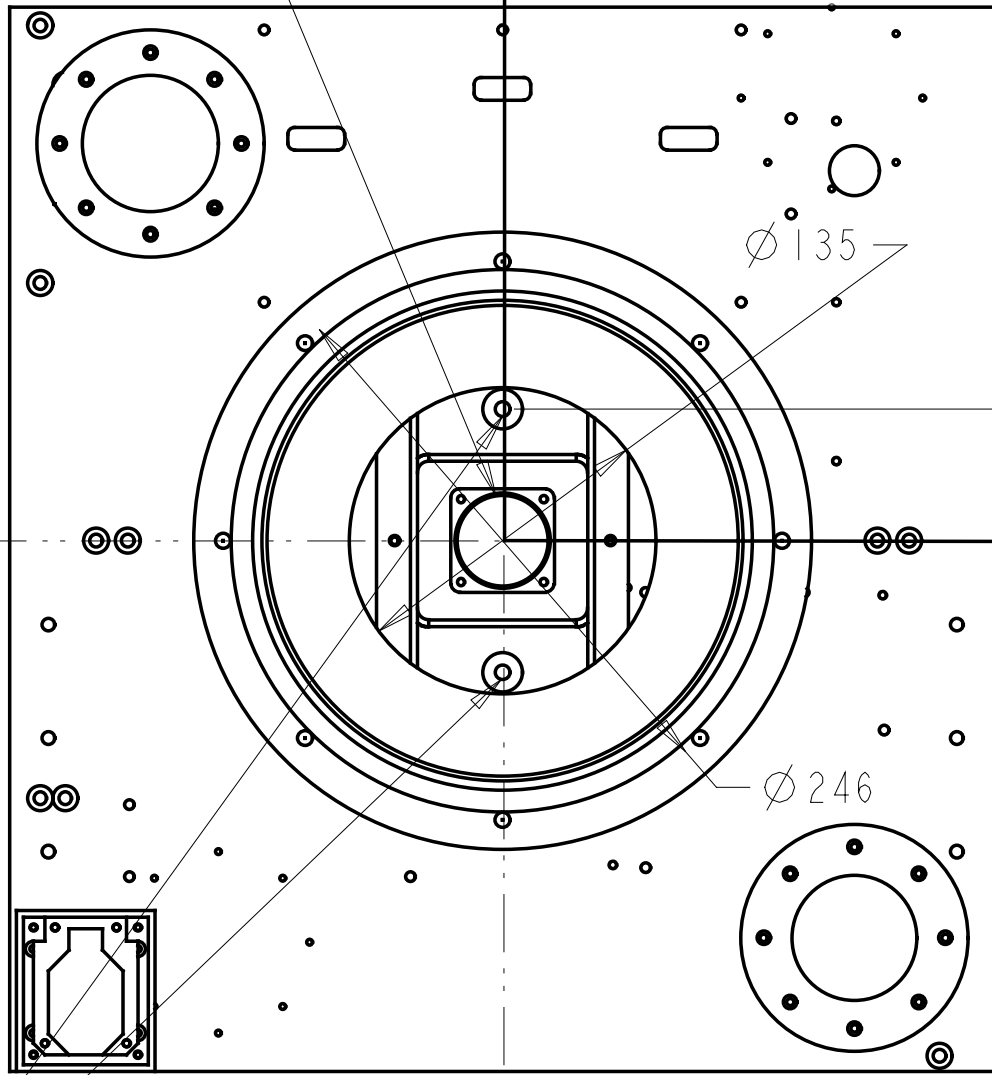


Connector

X



$\varnothing 135$

58 REF

$\varnothing 246$

64

12

52

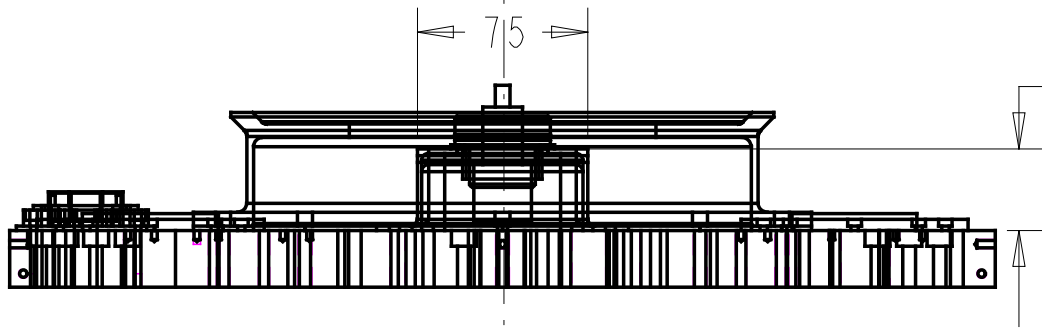
61

Separation Plane

Sensor

75

36



Product	INDEX -Z panel
Scale	0.3, A3
Writer	Toshinori Ikenaga
Date	2004.8.11